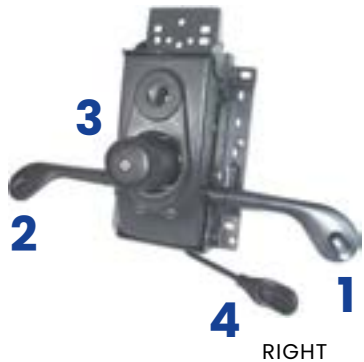
**MECHANISM SYNCHRO***

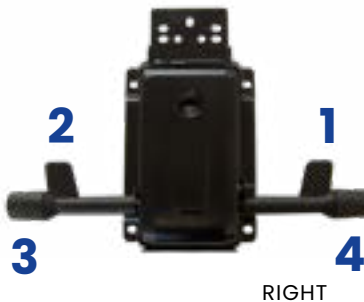
- 1 Seat height adjustment: lift lever
- 2 Lock/unlock the backrest swing:
 - push down lever – lock in the selected position (5 positions)
 - lift lever – release
- 3 Adjust tilt tension: turn knob

MECHANISM SYNCHRO*

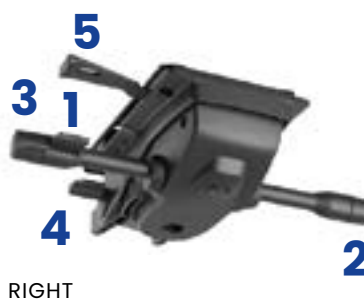
- 1 Seat height adjustment: slide the control to the right
- 2 Lock the backrest swing: slide the control to the left (4 positions)

**MECHANISM T-SYNCHRO***

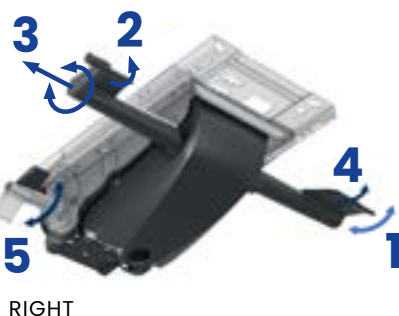
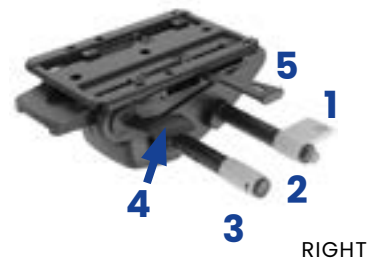
- 1 Seat height adjustment: lift lever
- 2 Lock/unlock the backrest swing:
 - push down lever – lock in the selected position (5 positions)
 - lift lever – release
- 3 Adjust tilt tension: turn knob
- 4 Seat depth adjustment: lift lever, adjustment range 50 mm

LEVIA**MECHANISM TB-SYNCHRO***

- 1 Seat height adjustment: lift lever
- 2 Seat depth adjustment: lift lever, adjustment range 58 mm
- 3 Lock/unlock the backrest swing:
 - turn lever – lock in the selected position (4 positions)
 - turn lever back – release
- 4 Adjust tilt tension: turn lever

**MECHANISM IMA/ERGO***

- 1 Seat height adjustment: lift lever
- 2 Lock/unlock the backrest swing:
 - turn lever (IMA) / push button (ERGO) – lock in the selected position (5 positions)
 - turn lever back (IMA) / push button (ERGO) – release
- 3 Adjust tilt tension: turn lever
- 4 Adjust seat tilt up to 0°, 2.5°, 5° – turn lever
- 5 Seat depth adjustment: Push lever inside to release the seat slider, release lever to lock the seat in the first available position, adjustment range 60 mm

**MECHANISM SYN LaP***

- 1 Mechanism lock (5 locking positions)
- 2 Seat height adjustment
- 3 Tension adjustment
- 4 Seat depth adjustment, range 65 mm, 6 locking positions
- 5 Seat tilt adjustment: 0°, -5°



MECHANISM PIASTER

- 1 Seat height adjustment: press lever

RIGHT

MECHANISM ASYNCHRO

- 1 Seat height adjustment: press lever
- 2 Adjust backrest inclination: press lever
- 3 Adjust seat inclination: lift lever



PERMANENT CONTACT MECHANISM + PIASTER

- 1 Adjust backrest height: loosen knob, adjust, tighten knob
- 2 Lock/unlock the backrest: tighten/loosen knob
- 3 Adjust the distance between backrest and seat: loosen knob, adjust, tighten knob
- 4 Seat height adjustment: press lever



MARLENE

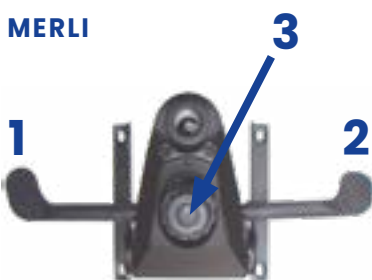


KNEE TILT MECHANISM MARLENE*

- 1 Seat height adjustment: lift lever
- 2 Adjust tilt tension: turn lever
- 3 Lock/unlock the backrest swing: turn lever – lock in the selected position (3 positions)

RIGHT

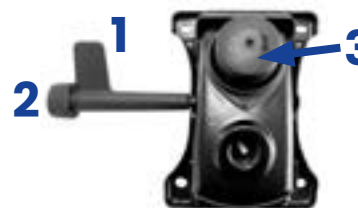
MERLI



MECHANISM ASSISTBLOCK*/DISPOS*

- 1 Seat height adjustment: lift lever
- 2 Lock/unlock the backrest swing:
 - turn lever – lock in the selected position (4 positions)
 - turn lever back – release
- 3 Adjust tilt tension: turn knob

DISPOS



MECHANISM SYNCHRO NON*

- 1 Seat height adjustment: lift lever
- 2 Lock/unlock the backrest swing:
 - push button – lock in the selected position (5 positions)
 - push button again – release
- 3 Adjust tilt tension: turn lever
- 4 Seat depth adjustment: turn lever (unlock), adjustment range 50 mm
- 5 Restrict the backrest inclination: push button

RIGHT